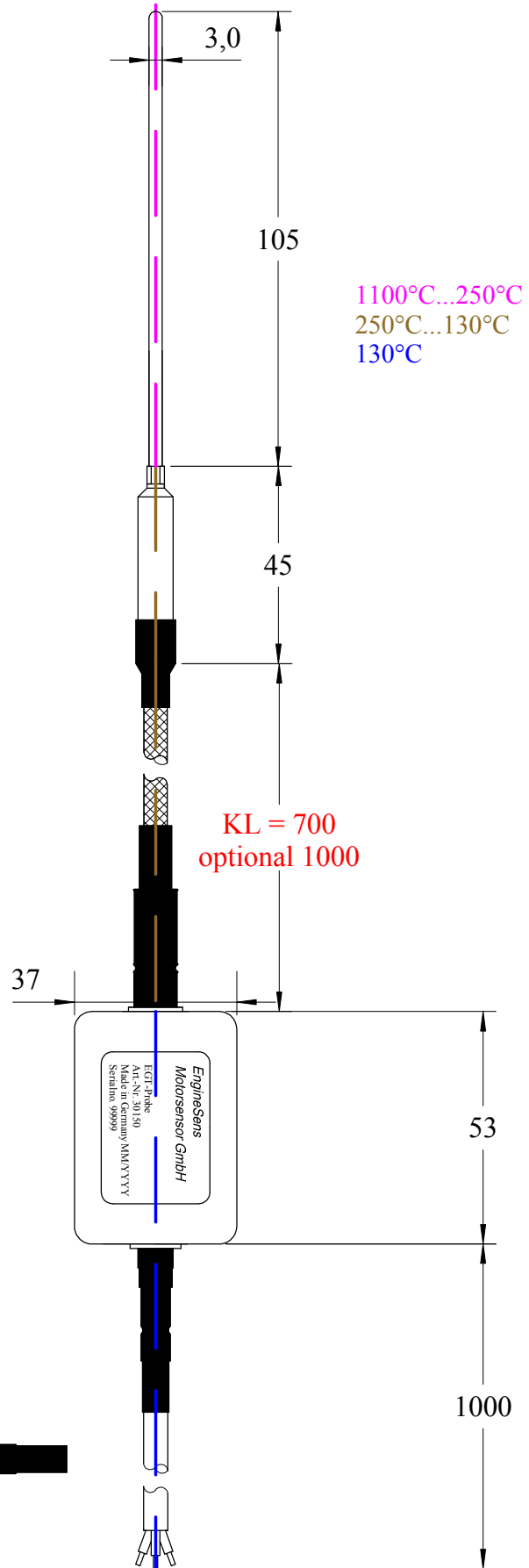
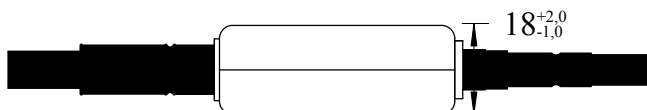


Tip Temp.	Output
-40 °C	357 mV
0 °C	472 mV
50 °C	628 mV
100 °C	792 mV
250 °C	1.322 mV
500 °C	2.329 mV
750 °C	3.400 mV
1.000 °C	4.475 mV
1.100 °C	4.896 mV

harness connection:
 brown or red +12...+24V
 blue or white SIG 0,3..5,0V
 black GND

min. bending radius of cable:
 5 x cable diameter
 No bending of shrink tube

Options marked in red
 Varianten in roter Schrift



Allgemeintoleranzen gem. ISO 2768				Datum	Name	Exhaust gas temperature probe DTS-V III BHKW part-no. 30200
				Bearb. 22.12.2010	S. Carstens	
				Gepr.		
				Norm		
				TurboCAD16.1	Maßstab ca. 1:1,8	
b	new color scheme	24.11.2013	sc	EngineSens Motorsensor GmbH		Blatt 1/1
a	new PCB:DTS-VII=>III	16.01.2012	sc	Mannheimer Str. 44b	phone +49 (0)6204-986 08 23	
Index	Änderung	Datum	Name	D-68519 Viernheim	fax +49 (0)6204-986 08 25	